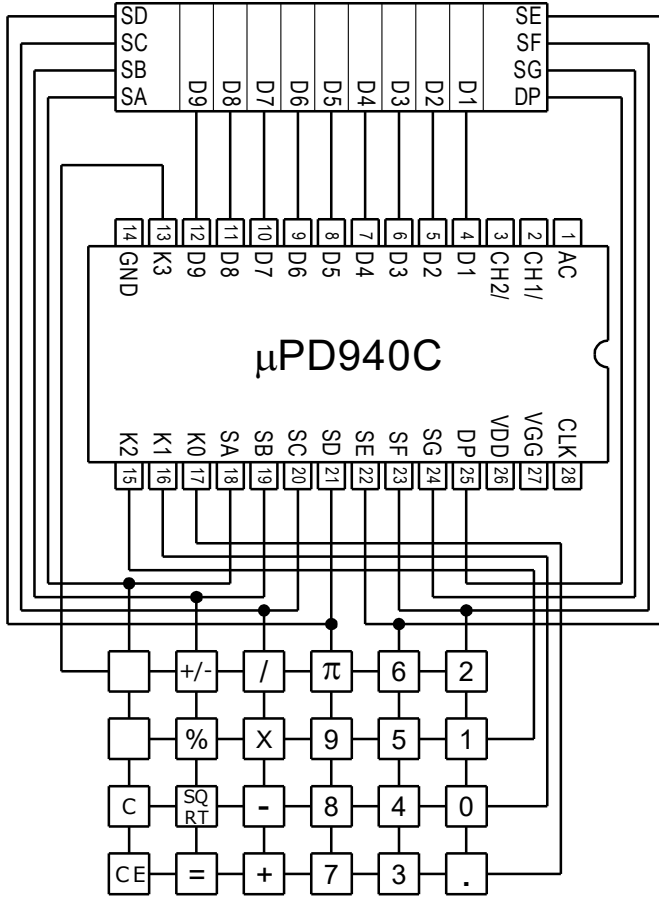
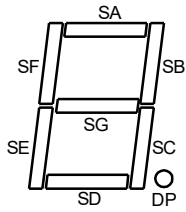


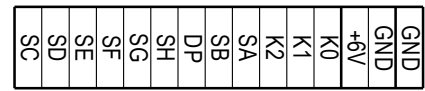
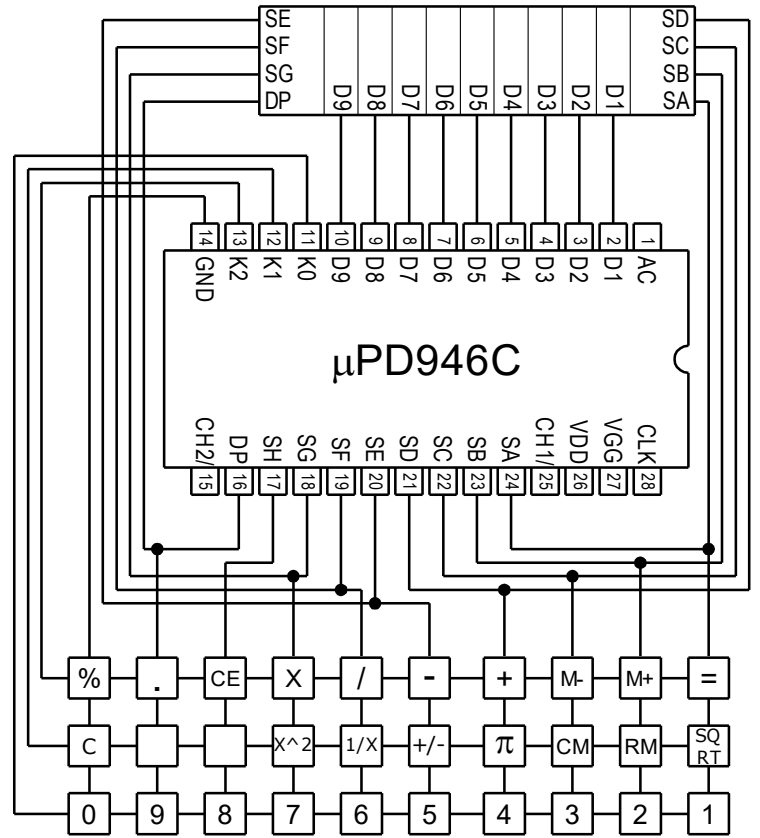
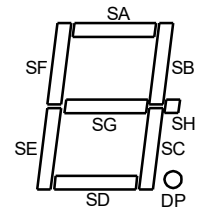
Pin Connection

	μPD940C/941C/942C/943C (943C: Summing Type Version; +=, -=)	μPD946C/947C (947C: Summing Type Version; +=, -=, M+=, M-=)
System Function	8 digit calculator with no memory	8 digit calculator with one memory
ROM	256 words x 19 bits	512 words x 17 bits
Release	9/1974	2/1975
Register Files	48 bits x 3	52 bits x 5
Adder/Subtractor	One bit serial BCD (Binary Coded Decimal)	One bit serial BCD (Binary Coded Decimal)
Process	7.5μ P channel metal gate EE (No. 15) Gate MOS transistor : Enhancement mode Load MOS transistor : Enhancement mode	7.5μ P channel metal gate ED Gate MOS transistor : Enhancement mode Load MOS transistor : Depletion mode
Segment Drive for VFD (Vacuum Fluorescent Device)	<p>7 Segments</p>	<p>8 Segments</p>
Key Function	+, -, ×, ÷, %, =, C, CE, π, 1, 2, 3, 4, 5, 6, 7, 8, 9, 0, ., ±, √	+, -, ×, ÷, %, =, C, CE, π, CM, RM, M+, M- , 1, 2, 3, 4, 5, 6, 7, 8, 9, 0, ., ±, √, 1/x, X² (Bold : Keys appended from μPD940)
Die Size	3.78 x 3.80 mm	

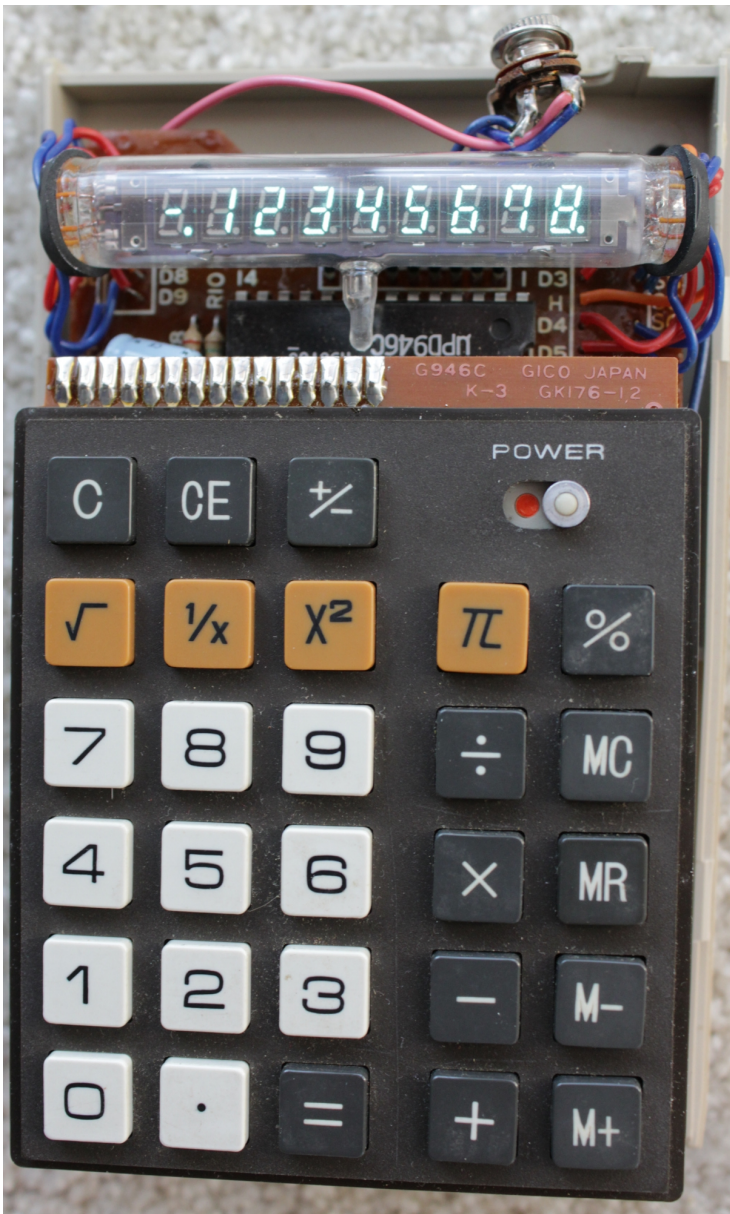
μPD940C/941C/942C/943C



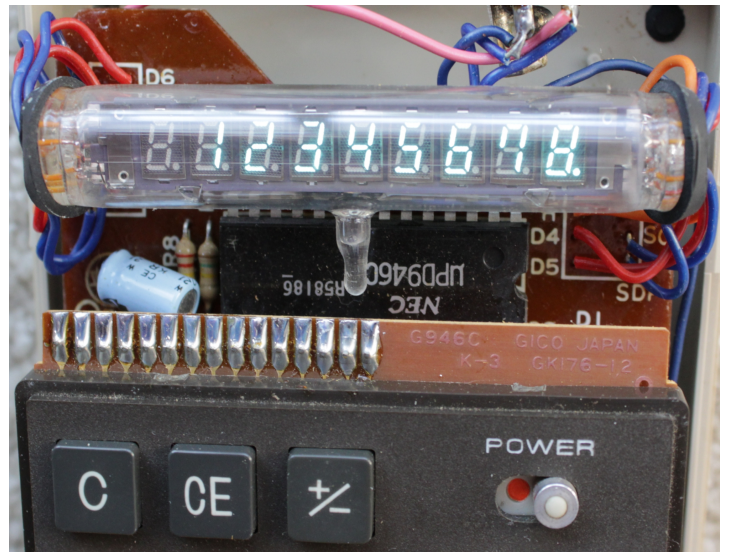
μPD946C/947C



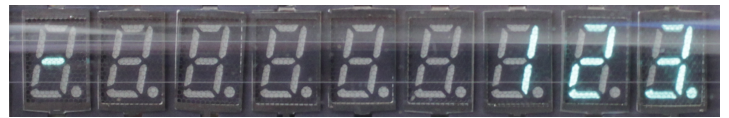
Keyboard connector (Rear view)
<Lloyd's Accumatic 320>



Lloyd's Accumatic 320



NEC μ PD946C Implemented (No Flag at 9th Column)



Leading Zero Suppress with Minus Flag at 9th Column



Minus & Memory Flag at 9th Column



Minus & Memory & Error Flag at 9th Column