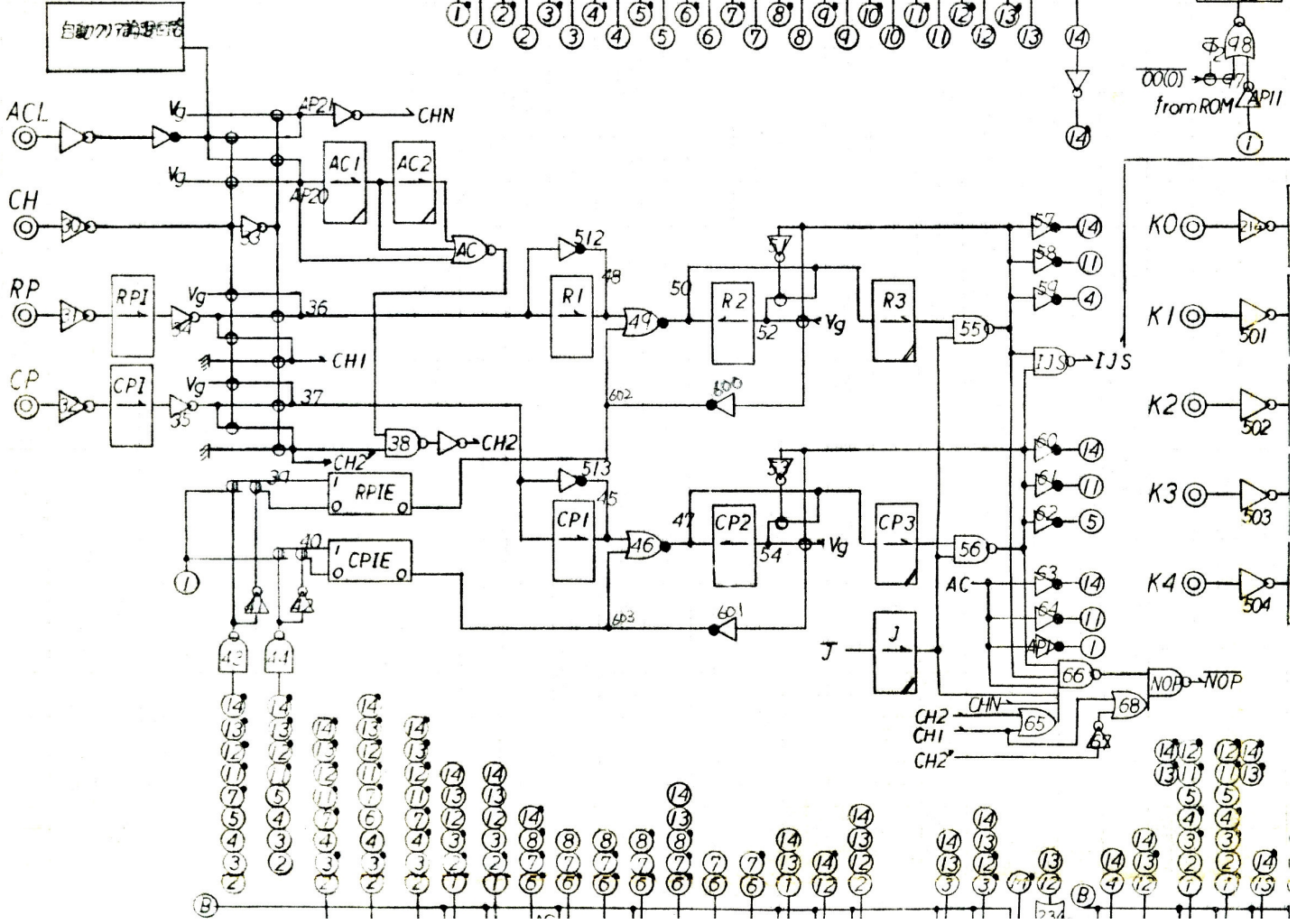
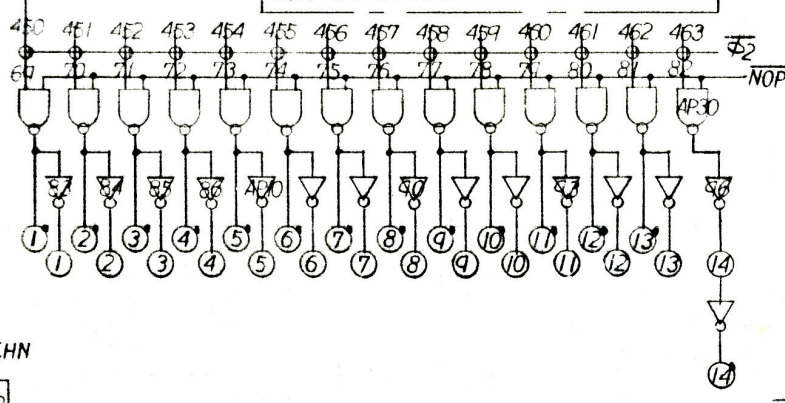
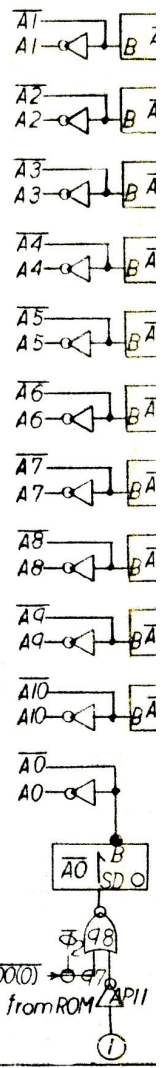
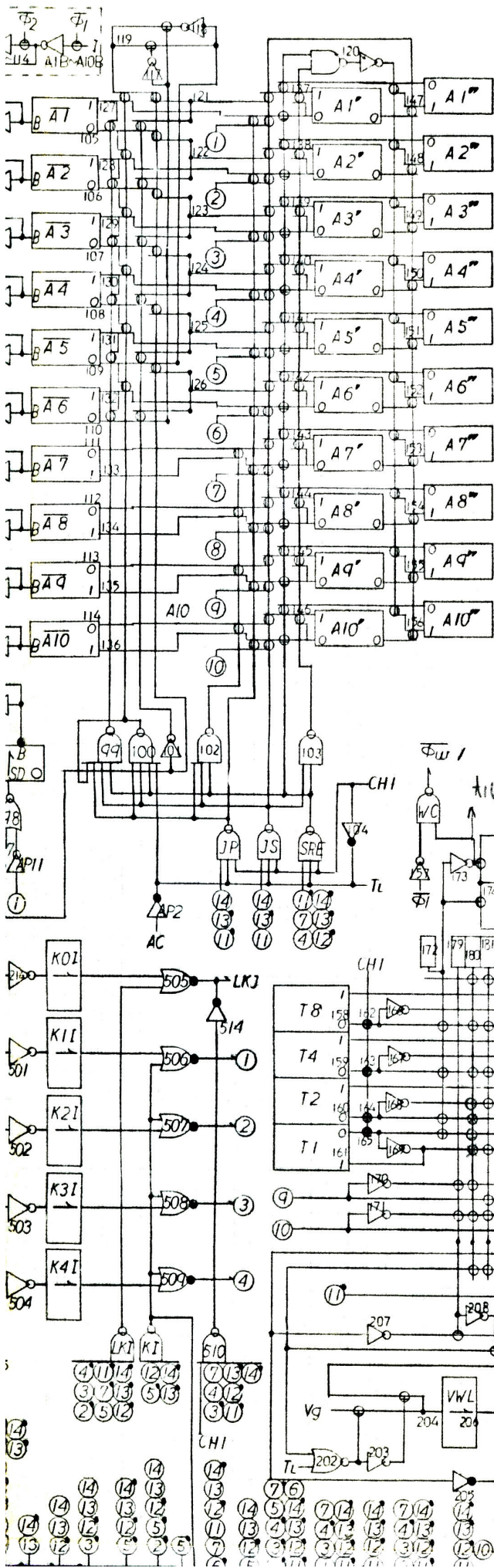


ADDRESS DECODER

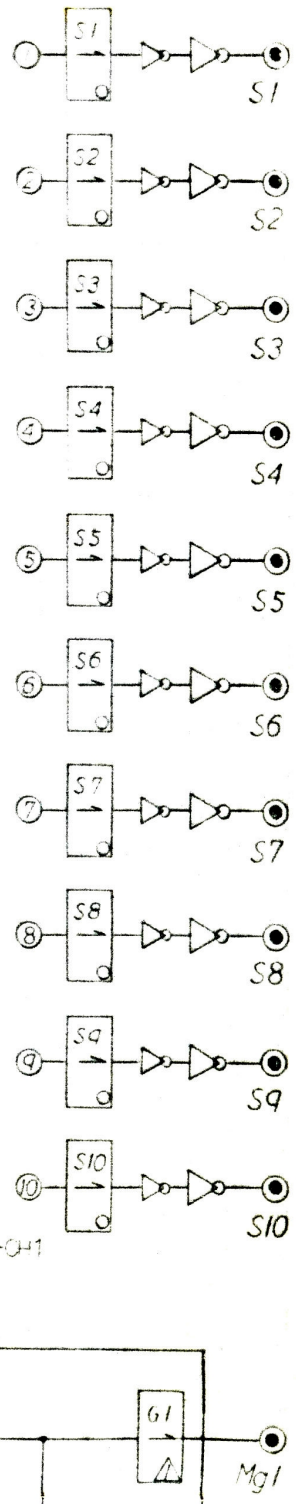
D000	A0,1,2,3,4,5,6	D761	A0,1,2,3,4,5,6
D018	A0,1,2,3,4,5,6	D751	A0,1,2,3,4,5,6
D768	A0,1,2,3,4,5,6	D731	A0,1,2,3,4,5,6
D011	A0,1,2,3,4,5,6	D671	A0,1,2,3,4,5,6
D031	A0,1,2,3,4,5,6	D571	A0,1,2,3,4,5,6
D071	A0,1,2,3,4,5,6		
D171	A0,1,2,3,4,5,6		
D371	A0,1,2,3,4,5,6		

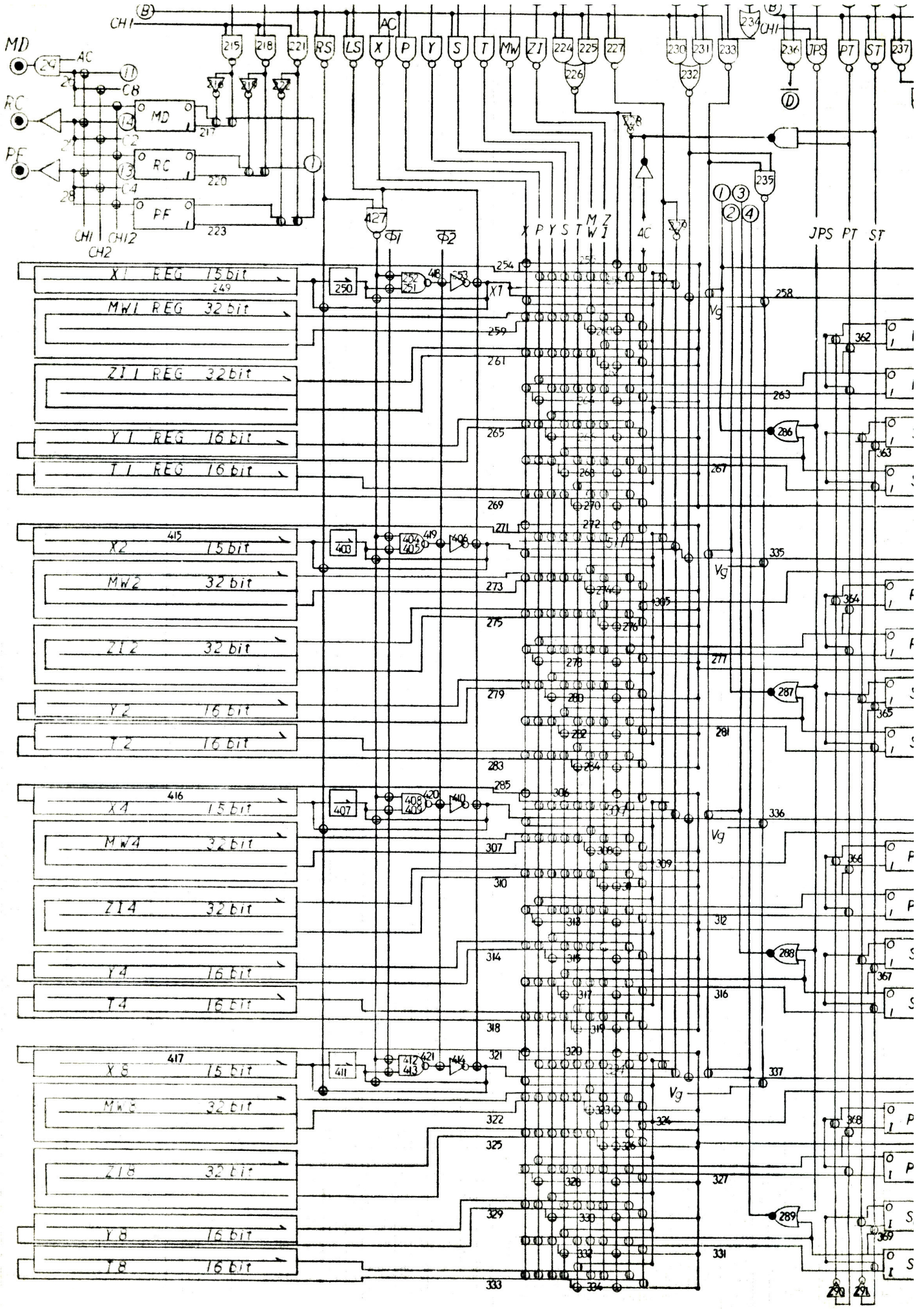


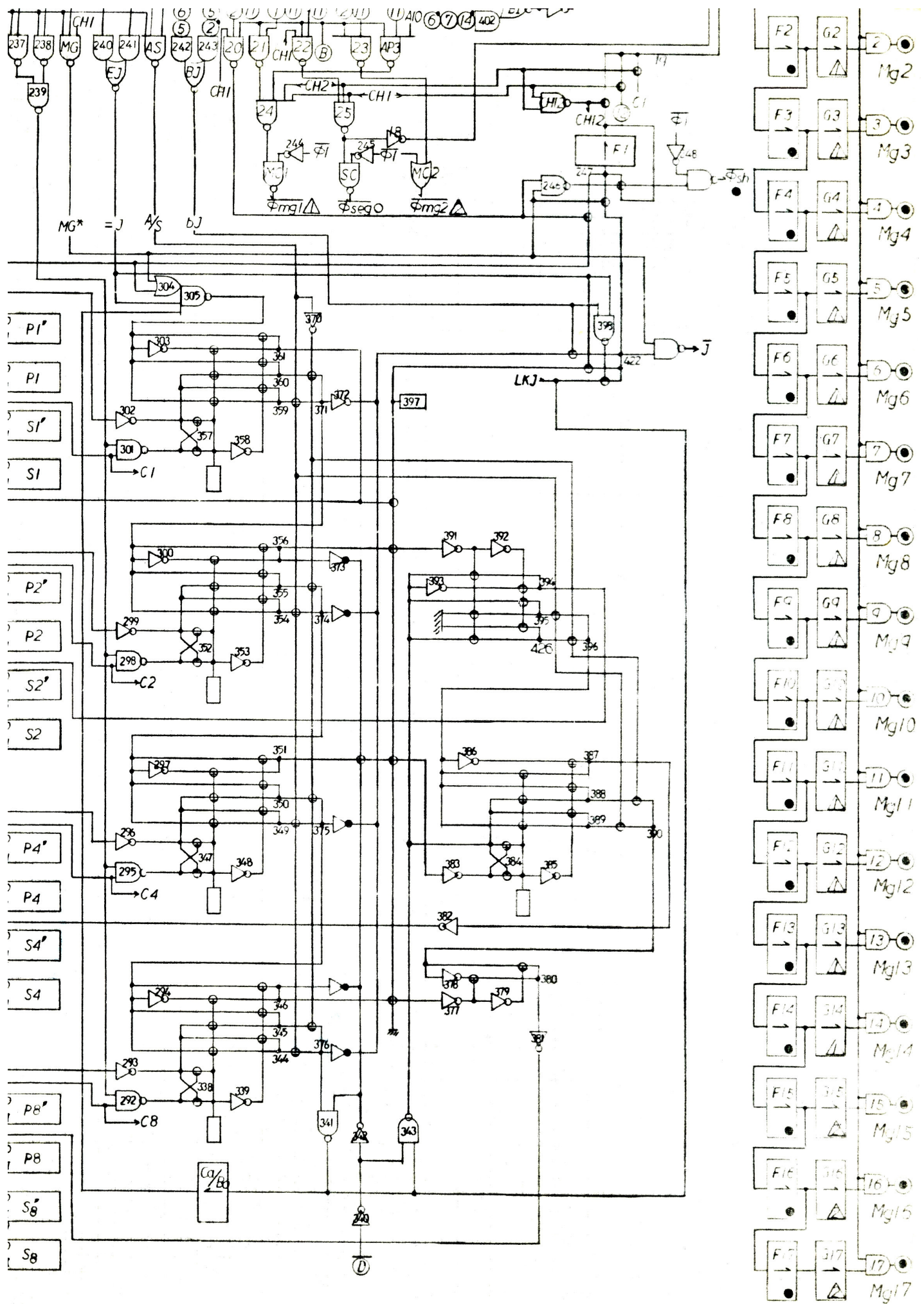


1	ACL	Φ	21
2	CH	V _{gg}	21
3	Mg13	RP	20
4	Mg14	CP	20
5	Mg15	Mg12	20
6	Mg16	Mg11	20
7	Mg17	Mg10	20
8	K0	Mg9	20
9	K1	Mg8	20
10	K2	Mg7	20
11	K3	Mg6	20
12	K4	Mg5	20
13	MD	Mg4	20
14	RC	Mg3	20
15	PF	Mg2	20
16	S10	Mg1	20
17	S9	S1	23
18	S8	S2	23
19	S7	S3	24
20	S6	S4	23
21	GND	S5	22

品名	UPD1201C		
図章			
設計者	No.15. E/D		
作成年月日	S. 50. 9. 4		
作成機			
承認	重野	知7	作成
			小口
改訂	16.227 10 ⑤ BBDAD 50.12.2 16.51.16.5 10.02.13 EXPB 51.1.6. 2 修正		







Page layout of μ PD1201 logic schematics

Page 1	Page 2
Page 3	Page 4

On PDF Viewer,

(1) Maximize window

(2) View – Page Display – Two Page Scrolling

[Mask layout design of \$\mu\$ PD1201](#) based upon this logic design

[Die micrograph of \$\mu\$ PD1201](#) based upon this logic design