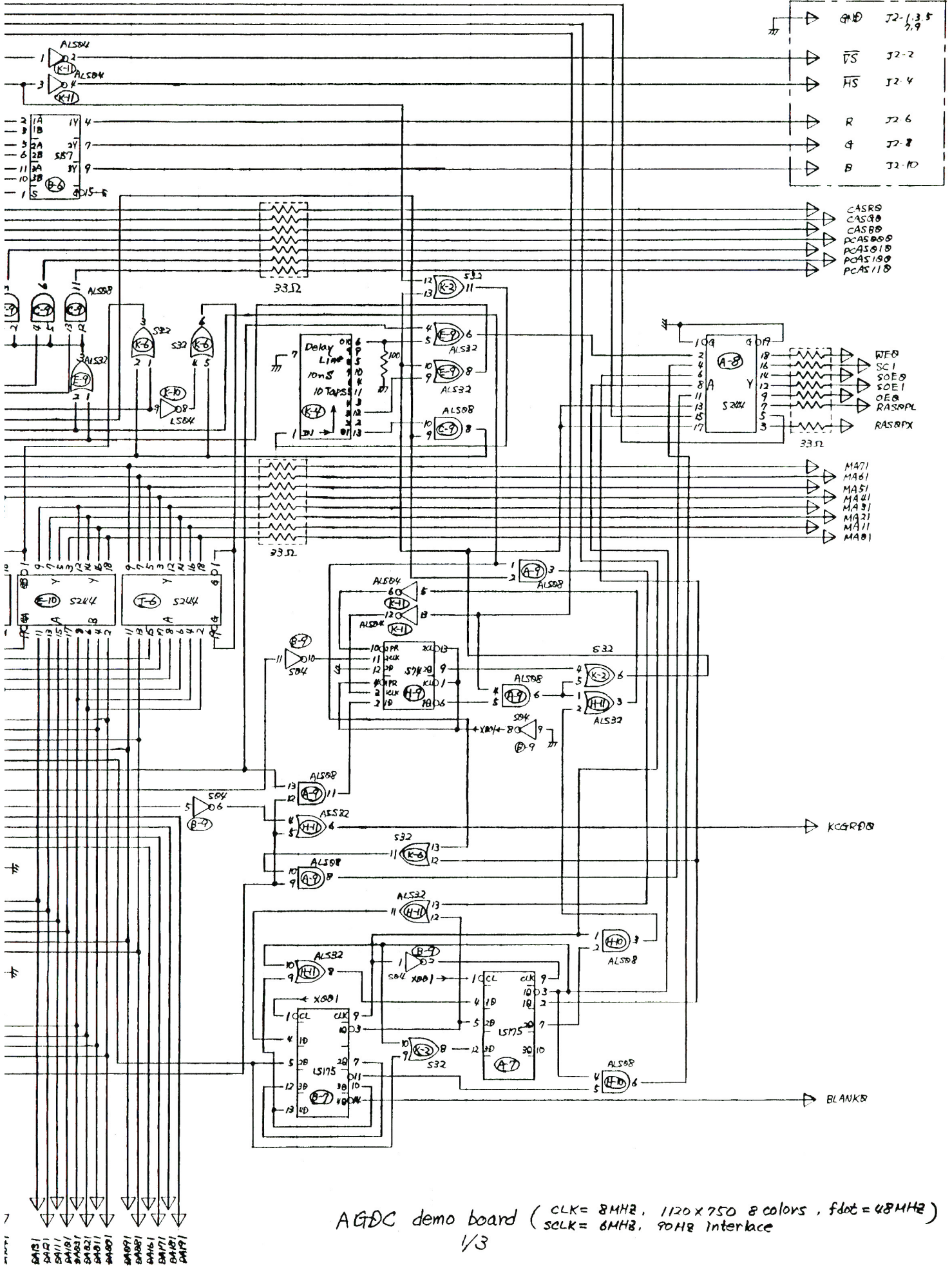
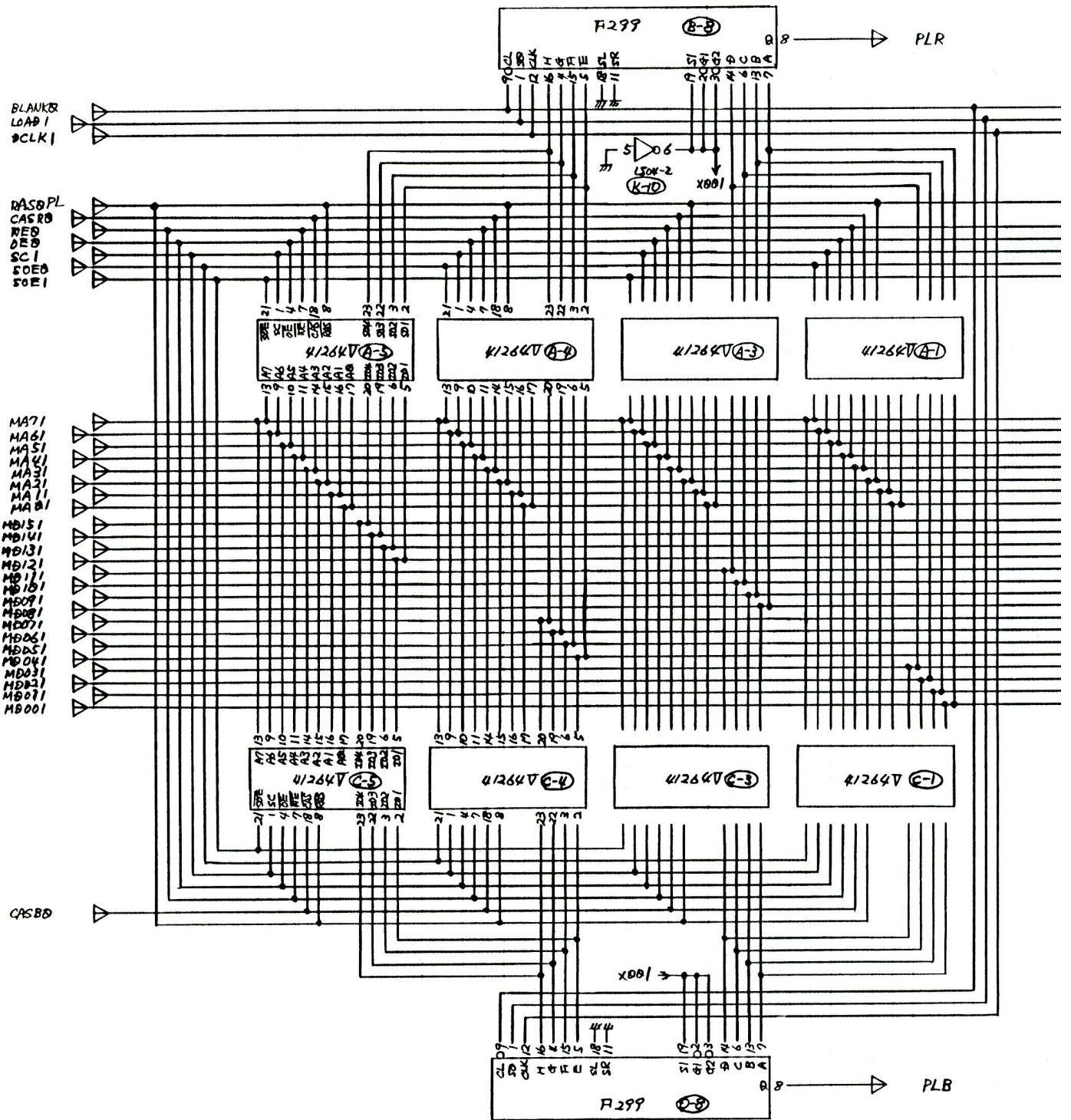


J1: Expansion board
Interface cable

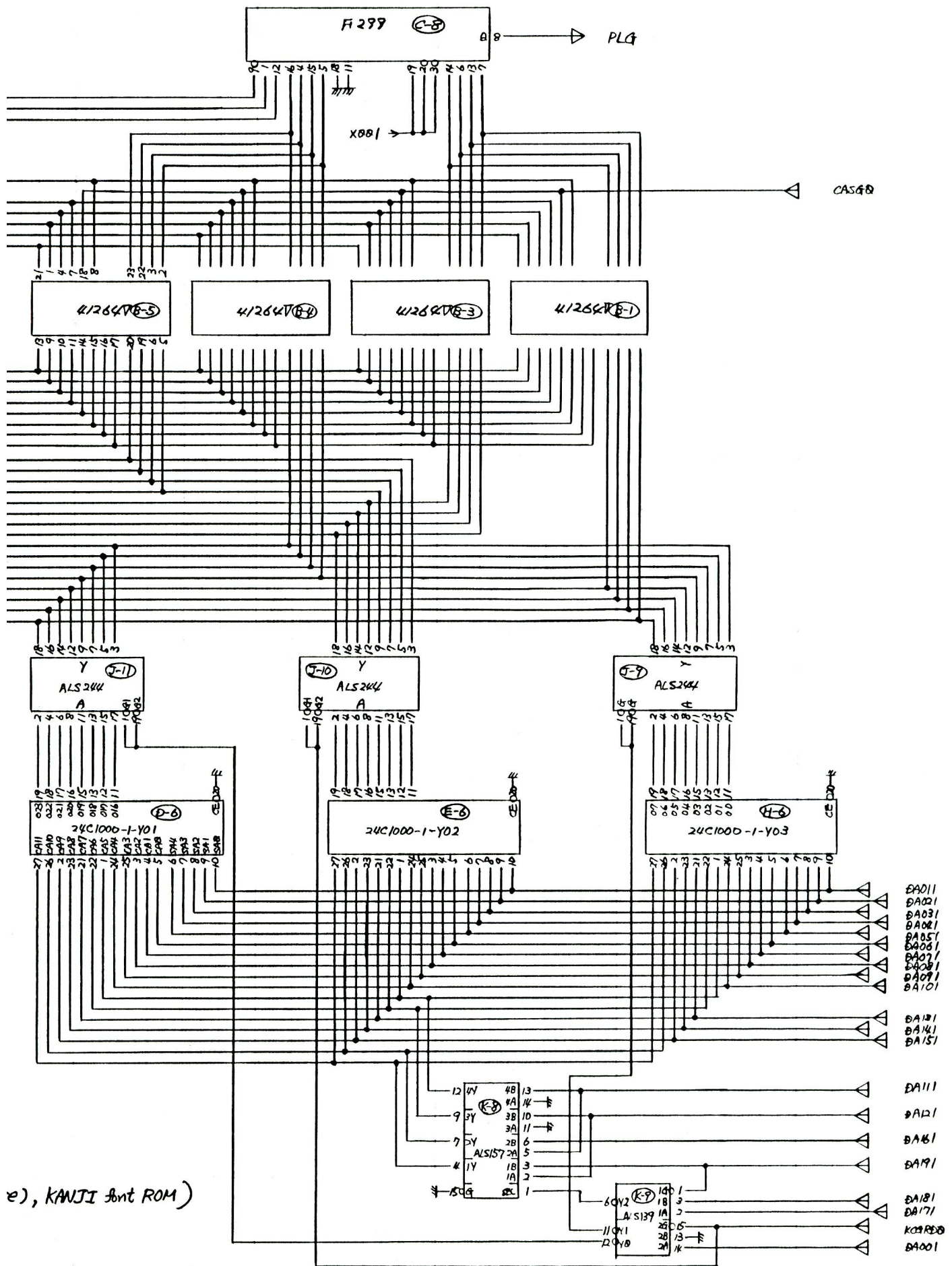
6.2.1987
4.16.1987
3.2.1987 T.04XCHZ



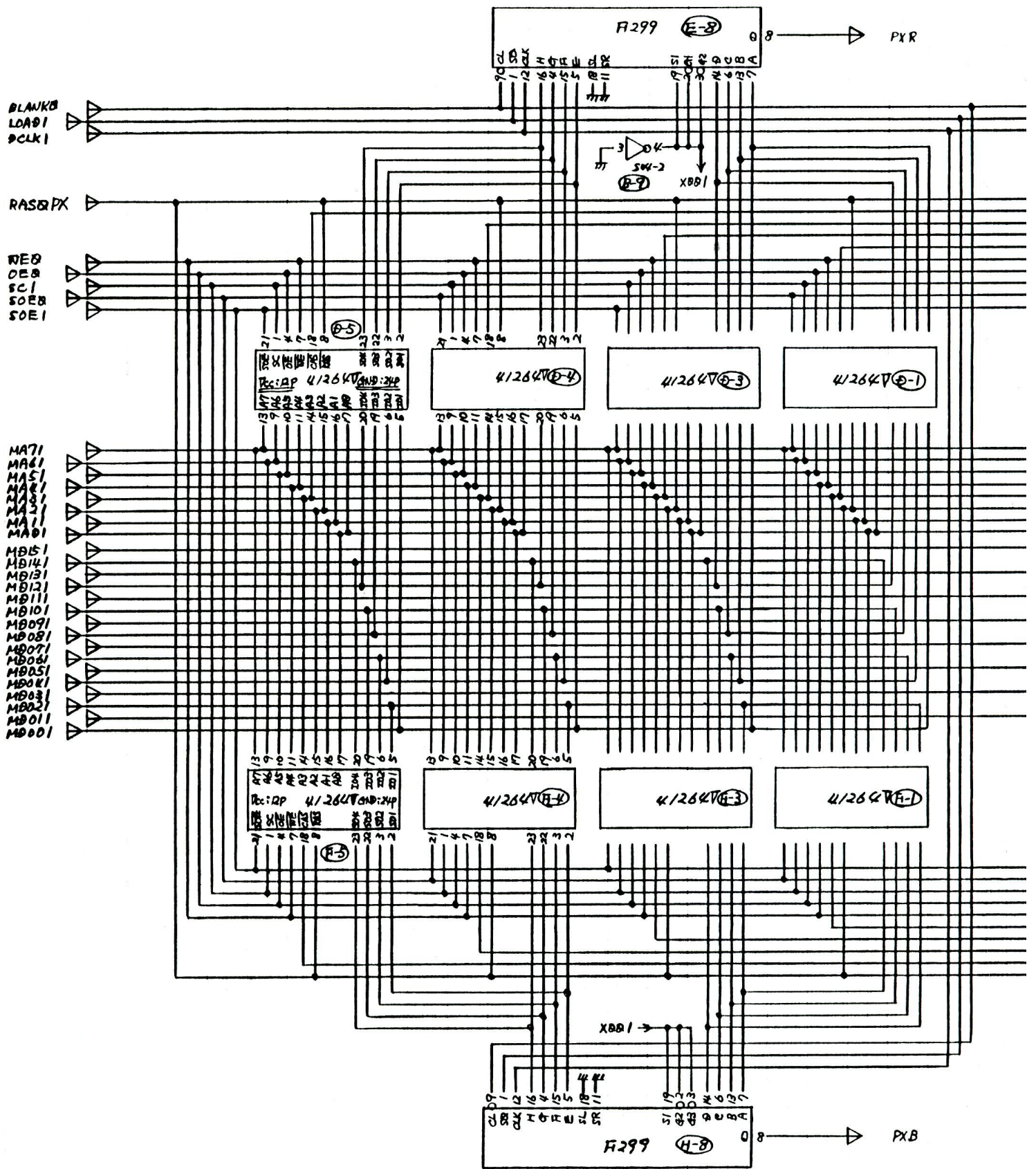
AGDC demo board (CLK = 8MHz, 1120 x 750 8 colors, fdot = 48MHz)
 (SOLK = 6MHz, 70Hz interlace)



AGDC demo board (display memory plane structure)

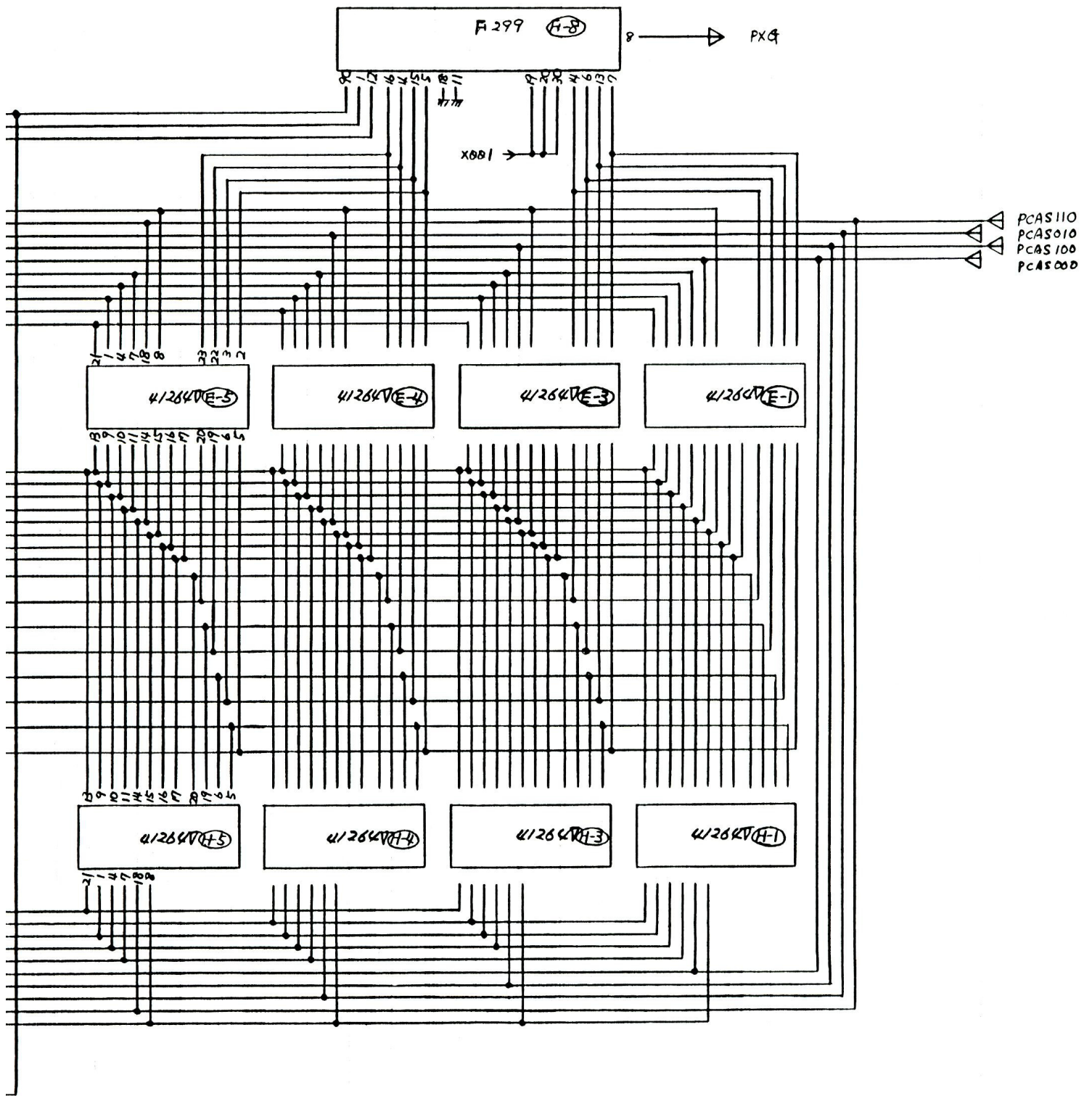


e), KANJI font ROM)



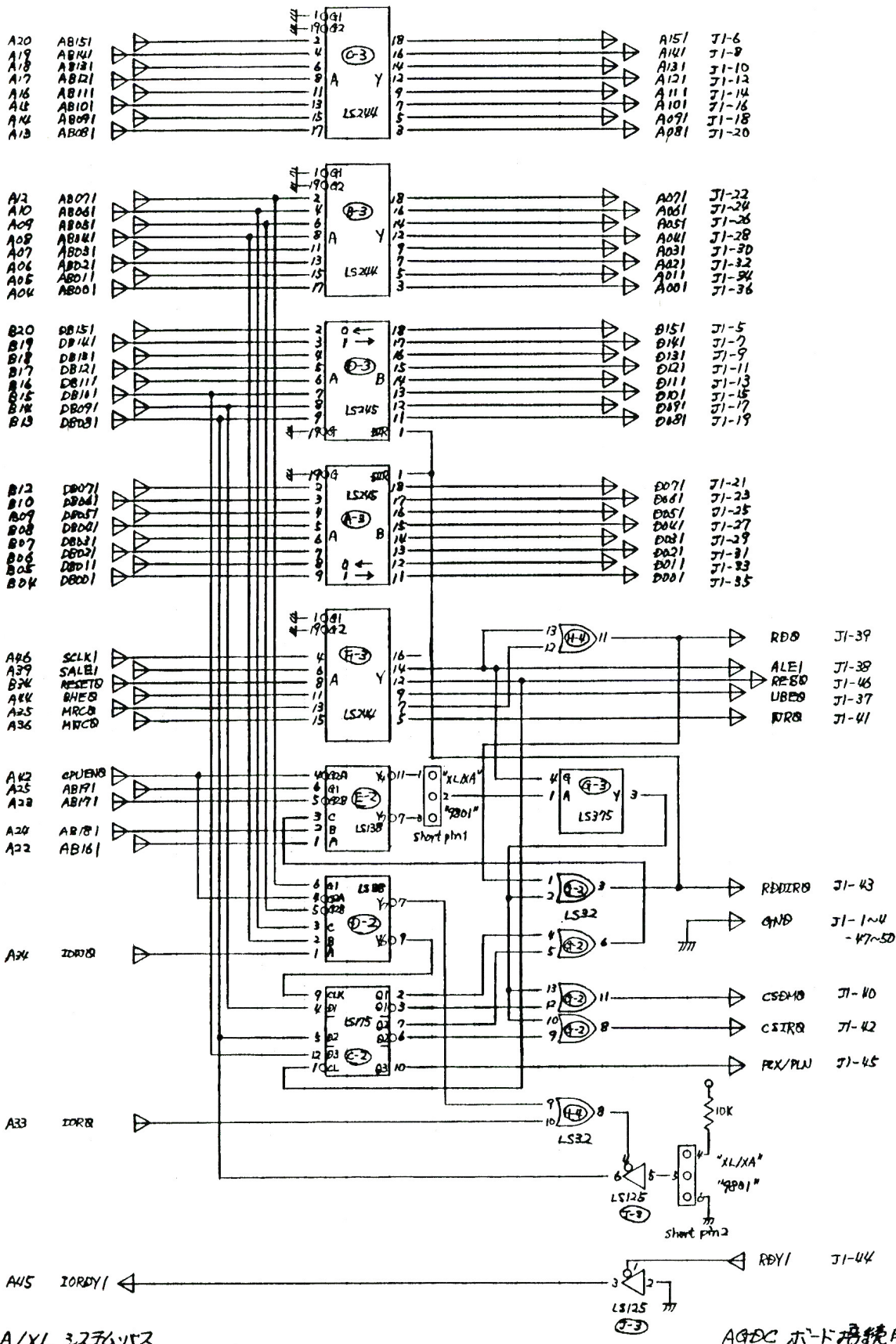
AGDC demo by
3/

6.2.1987
4.16.1987
2.28.1987 T. OGUCHI



emo board (display memory (pixel structure))

ポートアドレス			
/ / 8 /	X X X / (R)	X	X
/ / 8 /	X X X / (R)	X	X



	J	I
2	GN/D	GN
4	GN/D	GN
6	A151	D15
8	A141	D14
10	A131	D13
12	A121	D12
14	A111	D11
16	A101	D10
18	A091	D09
20	A081	D08
22	A071	D07
24	A061	D06
26	A051	D05
28	A041	D04
30	A031	D03
32	A021	D02
34	A011	D01
36	A001	D00
38	ALE1	UB1
40	CSEM/D	RB
42	CSZ/R	RR
44	RBY1	RBB
46	REST	PIX/1
48	GN/D	GN
50	GN/D	GN

54ピンD-Sub L3P2

98XA/XL (140V) :
1-2, 4-5
98011E/R/.....,
2-3, 5-6

98XA/XL 32764バス
(オードエッチコネクタ)

(98XA ↔ AGDC board interface
9801)

AGDC ホード接続用コネクタ

6.2.1987
4.16.1987
2.28.1987 T. OUCHI

1/1

F-8									
X	X	X	X	X	PIXEL	DM	SEL	IR	SEL
X	X	X	X	X	X	X	X	X	XA/9800

J	I
1D	AND 1
1D	AND 2
51	D151 5
41	D141 7
31	D131 9
21	D121 11
11	D111 13
71	D101 15
91	D091 17
81	D081 19
71	D071 21
51	D061 23
51	D051 25
41	D041 27
31	D031 29
21	D021 31
11	D011 33
01	D001 35
E1	UBEB 37
DMB	R0B 39
ZRB	R1B 41
Y1	R0BZR0 43
ZB	PIX/PLN 45
D	AND 47
B	AND 49

→ 画面 L3701

XL (11100000) 時

2, 4-5 230-1, XE1.01210.07X21 = 8000H

E1A1...../DX/DL (00000000) 時

3, 5-6 230-1, XE1.01210.07X21 = 0000H

AGDC 表示 XE1.マッパ

A	A	A	A	A	A	A	A	A	
2	2	2	2	1	1	1	1	1	
3	2	1	0	9	8	7	6		
X	X	X	0	0	0	0	0		7L-RB
X	X	X	0	0	0	0	1		7L-QB
X	X	X	0	0	0	1	0		7L-B0
X	X	X	0	0	0	1	1		未使用
X	X	X	0	0	1	0	0		7L-R1
X	X	X	0	0	1	0	1		7L-Q1
X	X	X	0	0	1	1	0		7L-B1
X	X	X	0	0	1	1	1		
X	X	X	0	1	X	X	X		未使用
X	X	X	1	0	0	0	0		24x24 ドット
									漢字マッパROM
X	X	X	1	1	1	1	1		

EABOR3 = 00CCCEH
DABOR3 = 0 H

CPU AGDC	
(AGDC BANK)	
00 0000H	000 000H
01 0000H	1120x750
	00C814H
02 0000H	070000H
	01C814H
03 0000H	020000H
04 0000H	020000H
05 0000H	02C814H
06 0000H	030000H
08 0000H	000000H
09 0000H	
0A 0000H	050000H
0B 0000H	
0C 0000H	060000H
0D 0000H	
0E 0000H	070000H
0F 0000H	
10 0000H	080000H
20 0000H	100000H
2E FFFFFH	1FFFFFFH

} 00F800H TIC(0)
TIC(1)

RQB
1 PIXEL = 3 DOTS

7L-マッパ

7L-マッパ

Page layout of 72120 demo/evaluation board schematics

Page 1	Page 2
Page 3	Page 4

Page 5	Page 6
Page 7	Page 8

Page 9	Page 10
Page 11	Page 12

On PDF Viewer,
(1) Maximize window
(2) View – Page Display – Two Page Scrolling